

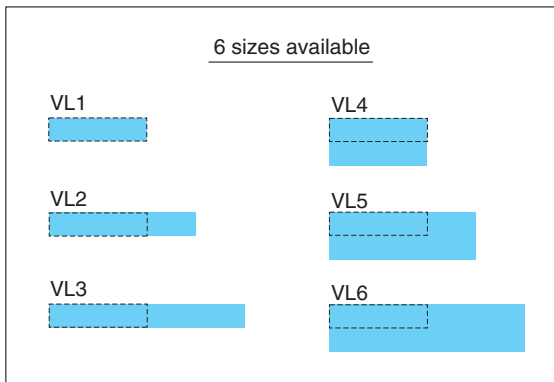
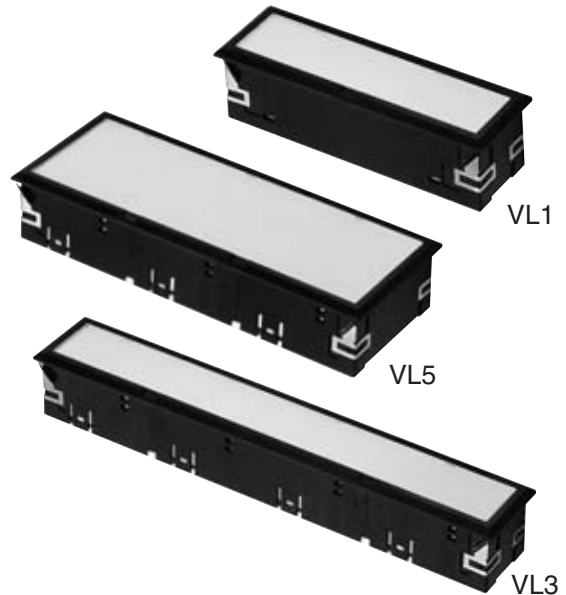
## TYPE VL LED INDICATOR

### 6 SIZES AVAILABLE

Select from 6 kinds of face size, according to necessary information.

Available 6 sizes according to number of characters which are desired to indicate.

- **Face size**  
17 × 72mm(VL1=basic size) and other 5 sizes.
- **Depth behind panel**  
20mm(except connector)
- **Terminal**  
Connector Type (Connector appended). Optional wire harness provided.
- **LED color**  
Red, Green, Yellow & Super Blue, Super Green, Super White (Hi bright LED) available.



### SPECIFICATIONS

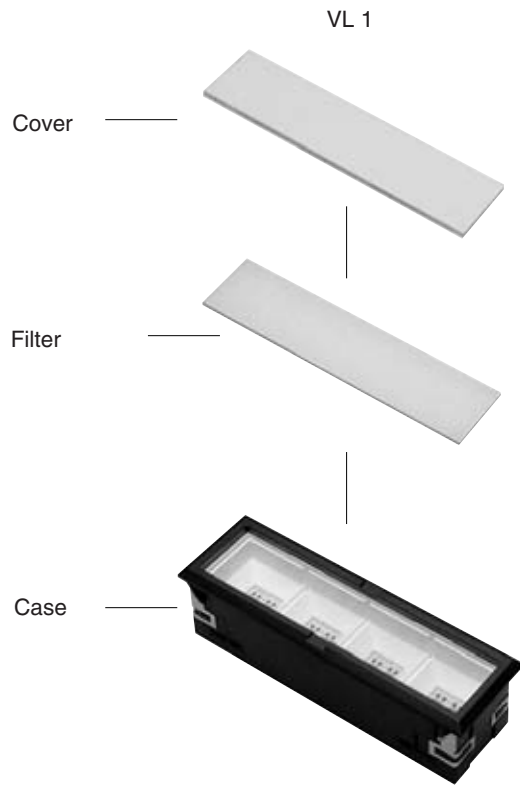
Item	Specifications	Item	Specifications
Insulation Resistance	More than 100MΩ at 500V DC	Ambient Temperature	-10°C ~ 40°C
Dielectric Strength	1500V AC RMS between terminals and ground (50/60Hz for 60sec. At normal ambient temperature and humidity)	Ambient Humidity	45 ~ 85%RH
Reverse Dielectric Strength	150V		

### LED DATA

t = 25°C


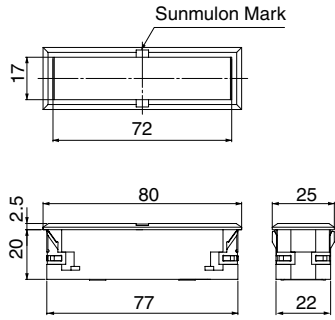

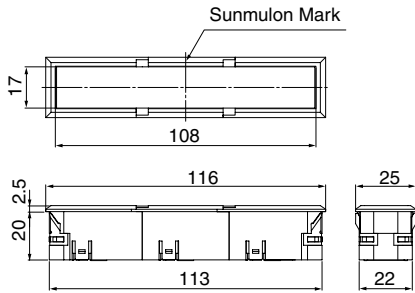
DC Supply Voltage (V) ± 5%	Current Rating (mA) full-face					
	VL1					
	Red	Yellow	Green	Super Blue	Super Green	Super White
DC5V	31	46	57			
DC12V	29	46	54	34	18	34
DC24V	15	24	28	17	9	17
VL2 : VL1×1.5times (each color) VL3 : VL1×2times (each color)		VL4 : VL1×2times (each color) VL5 : VL1×3times (each color)		VL6 : VL1×4times (each color)		

STRUCTURE



※ Light Cartridge (LED portion) is not removable. (Impossible to replace LED)

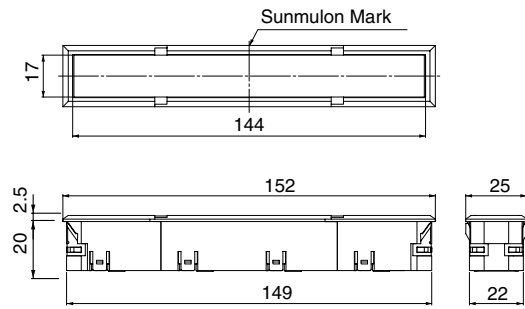
DIMENSIONS

<p>VL1 (17×72)</p> 	
<p>VL2 (17×108)</p> 	

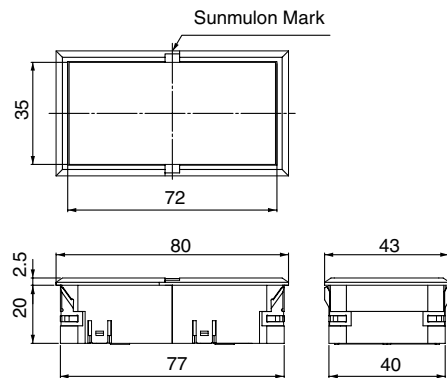
Tolerance : ±0.4mm

## DIMENSIONS

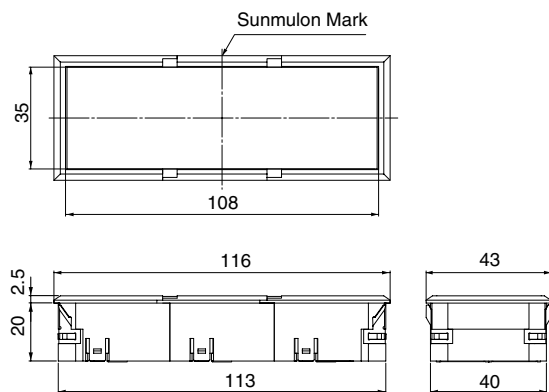
VL3 (17×144)



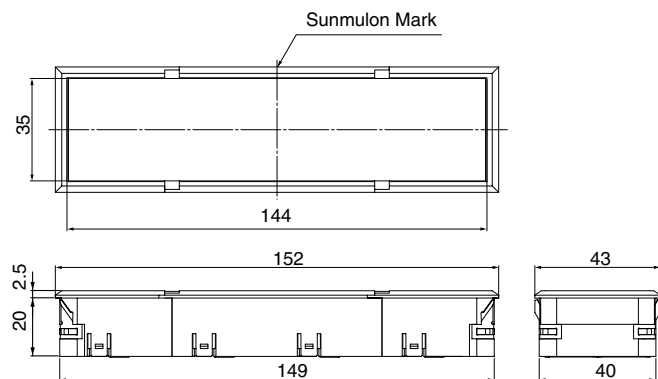
VL4 (35×72)



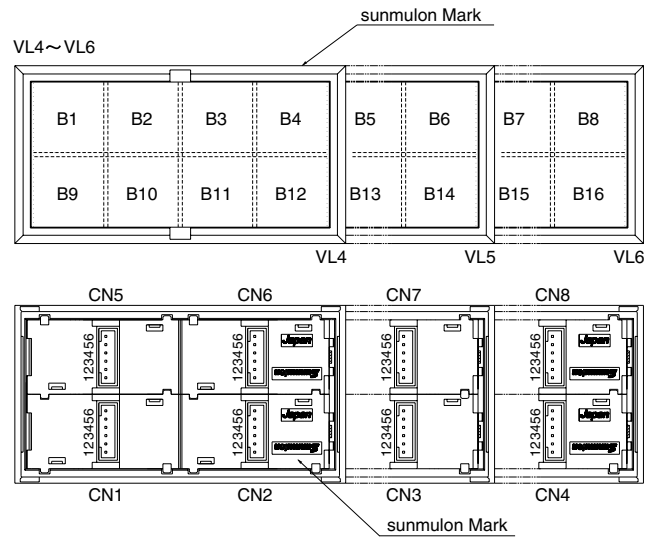
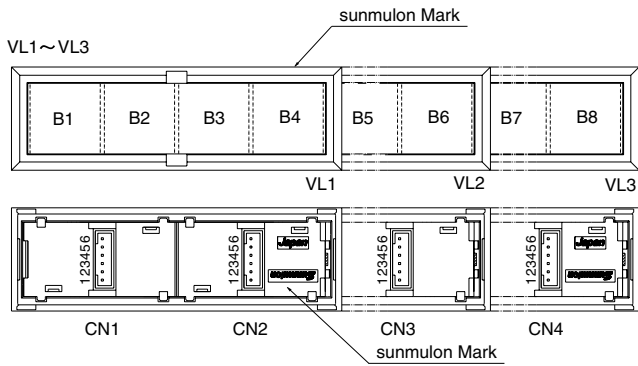
VL5 (35×108)



VL6 (35×144)



## TERMINAL LAYOUT



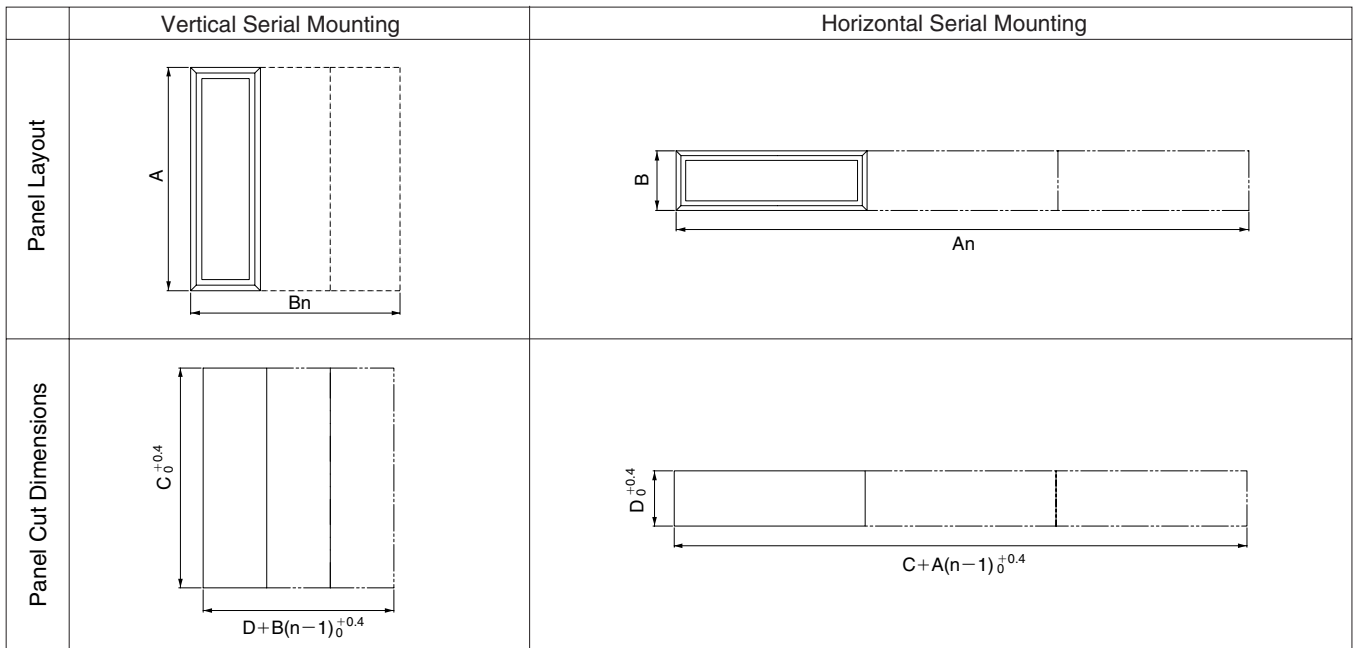
● VL1~VL6 (full-face)

Terminal No.		VL1	VL2	VL3
CN1	1	COM	Anode (+)	Anode (+)
	2			
	3	L1	Cathode (-)	Cathode (-)
	4			
	5	L1	Cathode (-)	Cathode (-)
	6			
usable connector (each 2 pcs.)		CN1,CN2(common)	CN1,CN3(common)	CN1,CN4(common)

Terminal No.		VL4	VL5	VL6
CN5	1	COM	Anode (+)	Anode (+)
	2			
	3	L1	Cathode (-)	Cathode (-)
	4			
	5	L1	Cathode (-)	Cathode (-)
	6			
usable connector (each 4 pcs.)		CN1,CN2(common) CN5,CN6(common)	CN1,CN3(common) CN5,CN7(common)	CN1,CN4(common) CN5,CN8(common)

## PANEL LAYOUT/PANEL CUT DIMENSIONS

Panel thickness: 1~4mm



n: number of indicators

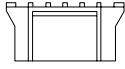
Dimensions	VL1	VL2	VL3	VL4	VL5	VL6
A	80	116	152	80	116	152
B	25	25	25	43	43	43
C	77.4	113.4	149.4	77.4	113.4	149.4
D	22.4	22.4	22.4	40.4	40.4	40.4

## ACCESSORIES

● Connector (appended)

Part No | EH-3251

Connector (1Housing & 5 Contact Pins) to be appended.



Housing (JST made PHR-6)



Contact Pin (JST made SPH-002T-P0.5S)

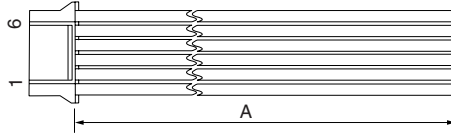
● Cover Removing Tool

Part No | SJ-0002-1



● Wire Harness

Wire : UL1061, AWG26 equivalent



A length	Part No
100cm	EH-3250-1
200cm	EH-3250-2

Pin no.	1	2	3	4	5	6
Wire Color	Brown	Red	Orange	Yellow	Green	Blue

## ORDERING CODE

VL [ ] - [ ] [1][2][3][4] [ ] [ ] [1][2] [ ] [ ] [ ] [ ]

● SIZE

1	17×72
2	17×108
3	17×144
4	35×72
5	35×108
6	35×144

● ILLUMINATION

W0	Full-face
----	-----------

● LED COLOR

7	Red
8	Green
9	Yellow
※3) 14	Super Blue
※1) 16	Super White
※1) 18	Super Green

● COVER

C	Clear	※2)
---	-------	-----

● HOUSING COLOR

K	Black
H	Grey

◆ NOTES

- ※1) Not available for DC5V type.
- ※2) Snap-spring metal plates come out Left/Right direction for Vertical Mounting, and Top/Bottom direction for Horizontal Mounting to avoid interfering mutually in case of serial mounting. Therefore, in case of independent use, it does not matter. (select 1 Horizontal ordinary)
- ※3) "Yellow" color for LED is actually "Orange Yellow".

● MOUNTING

1	For Horiz. Mtg.	※2)
2	For Vert. Mtg.	※2)

● SUPPLY VOLTAGE

1	Built-in Resistor 5V
2	Built-in Resistor 12V
3	Built-in Resistor 24V
4	Without Resistor 5V
5	Without Resistor 12V
6	Without Resistor 24V

● LED CIRCUIT

A	Anode Common
K	Cathode Common

● CONNECTOR

K	Appended
N	Not appended

● FILTER COLOR

1	Red
2	Green
3	Orange Yellow
4	Milk White
6	Blue