



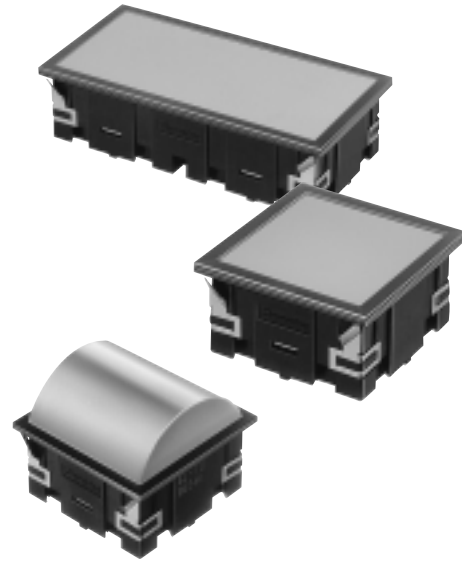
# CL LED Indicator

**Bright and Various Illumination makes easy planning of multiple design.**  
**Easy Matrix Mounting available.**  
**Dome Cover type (easy to look) provided.**

**Various illumination (Mono Color, Split-Face, 3-color, Negative) available.**

**■ FEATURES**

- Size : 40mm square type.
- 40×80mm rectangular type.
- Depth behind panel : Only 20mm
- Illumination : Mono-Color, Split-Face, 3-Color (Red, Green, Yellow), Negative
- Dome Cover type (easy to look) available.
- Terminal : Connector Type  
 Mounting : Snap-in Type  
 (Matrix mounting is possible to use "joint".)



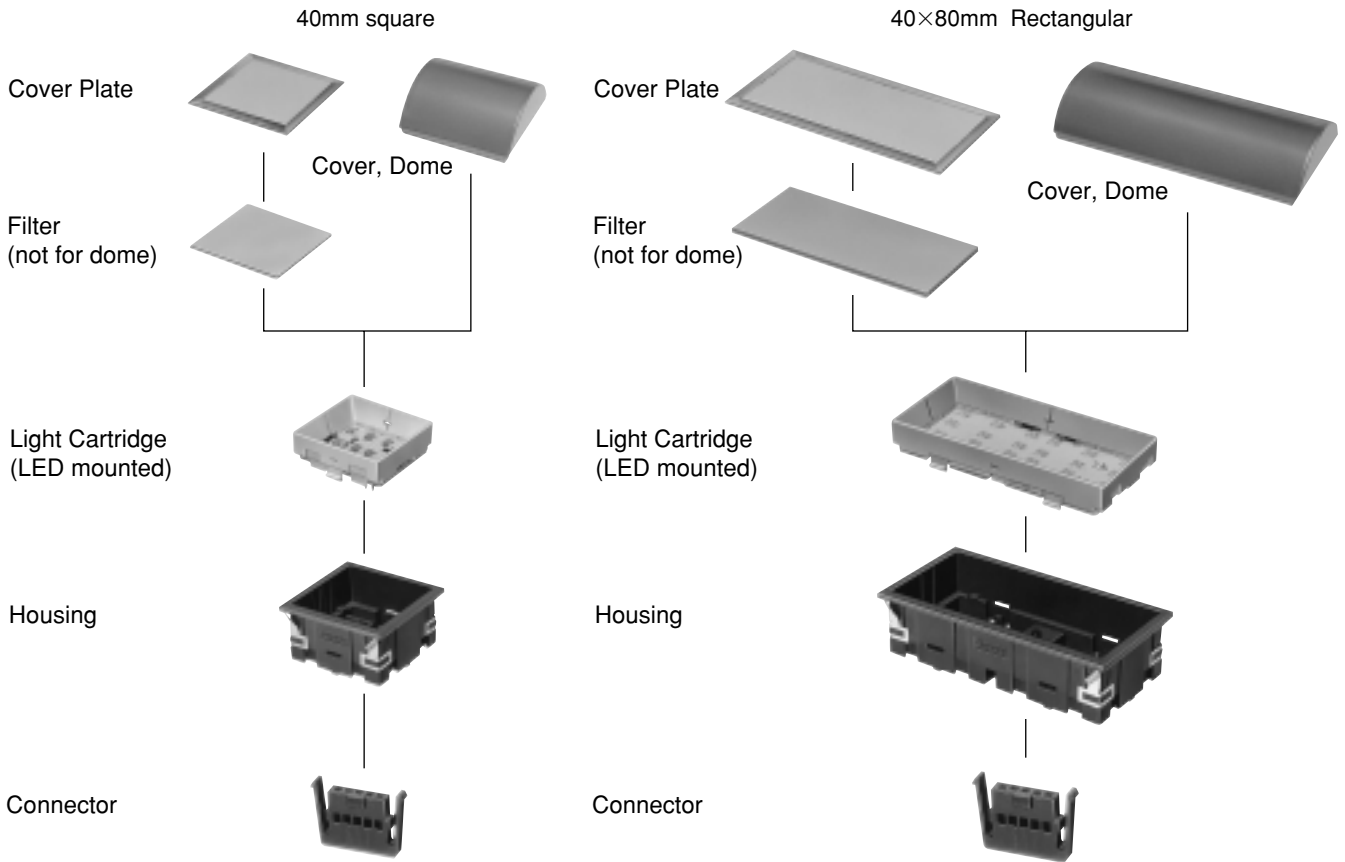
## SPECIFICATIONS

Insulation Resistance	More than 100MΩ at 500V DC
Dielectric Strength	1500V AC RMS between terminals and ground (50/60Hz for 60sec. at normal ambient temperature and humidity)
Reverse Dielectric Strength	150V
Ambient Temperature	-10°C~+40°C
Ambient Humidity	45~80% RH

## LED DATA

	DC Supply Voltage (V)	Current Rating (mA)								
		Mono-Color		Split-Face		Split-Face, Dual		3-Color		
		Red	Green/Yellow	Red	Green/Yellow	Red	Green	Red	Green	Yellow
40×40	DC12 (±5%)	52	80	26	40	26×2	40×2	52	80	80
	DC24 (±5%)	26	40	13	20	13×2	20×2	26	40	40
40×80	DC12 (±5%)	104	160	52	80	52×2	80×2	104	160	160
	DC24 (±5%)	52	80	26	40	26×2	40×2	52	80	80

## STRUCTURE



## DIMENSIONS

40mm square	Flat type			<p>Top View</p>
	Dome type			<p>Top View</p>

Tolerance : ±0.4mm

DIMENSIONS

40×80mm Rectangular	Flat type			<p>Top View</p>
	Dome type			<p>Top View</p>

Panel Thickness 1mm~4mm

Matrix Mounting (Without Matrix Frame)			<p>Panel Cut Dimension</p> <p>Square</p> <p>Rectangular</p> <p>※ n : Number of A size (Row/Column) m : Number of B size (Row/Column)</p>

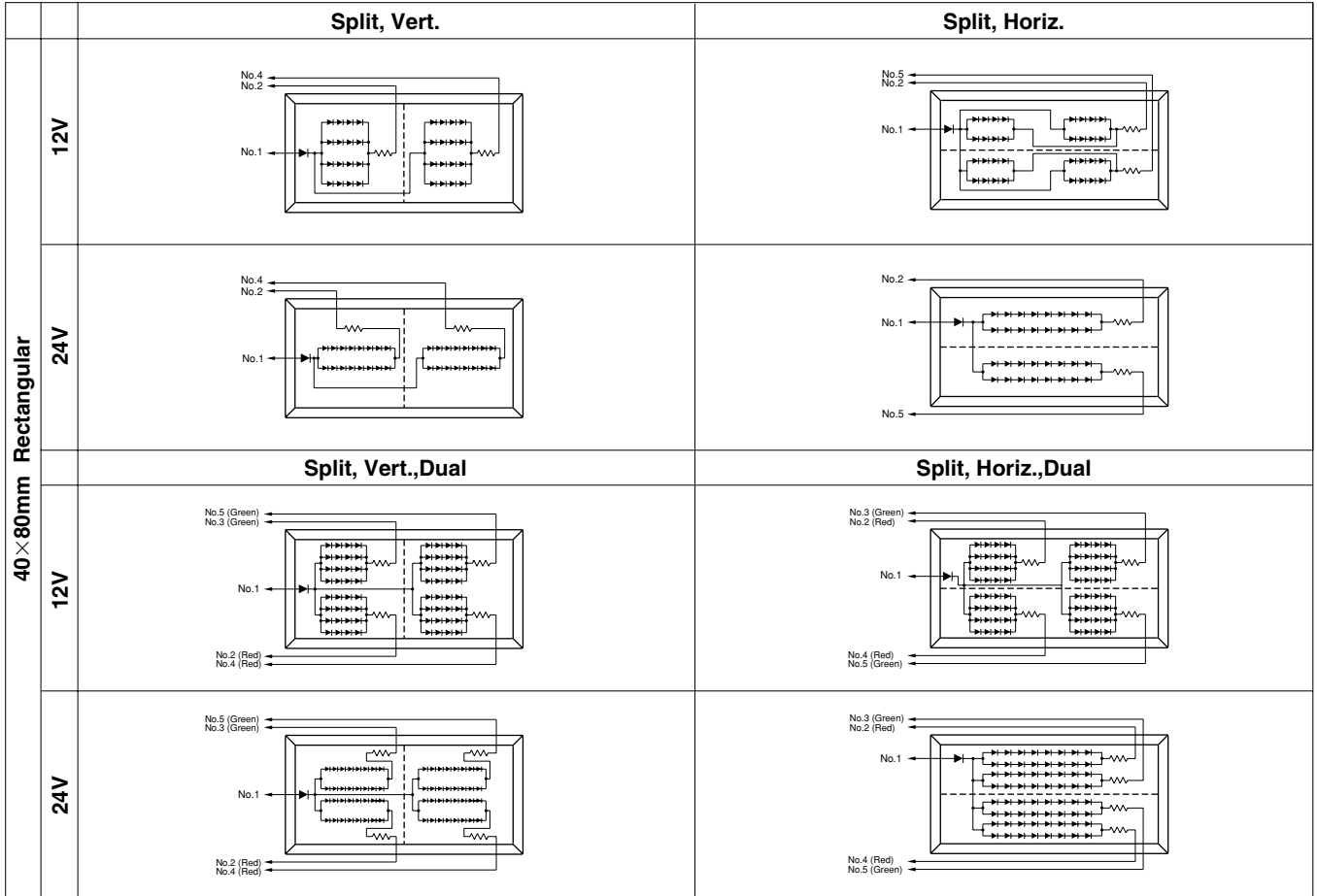
Tolerance : ±0.4mm

## INTERNAL CONNECTION ARRANGEMENTS

		Full-Face	3-Color	Split, Vert.	Split, Vert., Dual
40mm square	12V	<p>Sunmulon mark</p> <p>BOTTOM VIEW</p> <p>TOP VIEW</p>	<p>No.4 (Yellow) No.2 (Green) No.3 (Red)</p> <p>No.1</p>	<p>No.2</p> <p>No.4</p> <p>No.1</p>	<p>No.2 (Green) No.3 (Red)</p> <p>No.4 (Green) No.5 (Red)</p> <p>No.1</p>
	24V	<p>Sunmulon mark</p> <p>BOTTOM VIEW</p> <p>TOP VIEW</p>	<p>No.4 (Yellow) No.2 (Green) No.3 (Red)</p> <p>No.1</p>	<p>No.2</p> <p>No.4</p> <p>No.1</p>	<p>No.2 (Green) No.3 (Red)</p> <p>No.4 (Green) No.5 (Red)</p> <p>No.1</p>
40×80mm Rectangular	12V	<p>Sunmulon mark</p> <p>BOTTOM VIEW</p> <p>TOP VIEW</p>	<p>No.4 (Yellow) No.3 (Green)</p> <p>No.1</p> <p>No.2 (Red)</p>		
	24V	<p>Sunmulon mark</p> <p>BOTTOM VIEW</p> <p>TOP VIEW</p>	<p>No.4 (Yellow) No.3 (Green)</p> <p>No.1</p> <p>No.2 (Red)</p>		

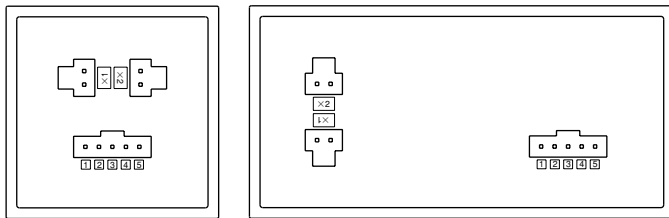
Tolerance : ±0.4mm

INTERNAL CONNECTION ARRANGEMENTS

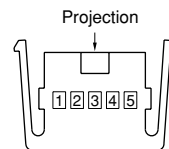


TERMINAL

● TERMINAL LAYOUT



● CONNECTOR



● Suitable wire

Wire size	Diameter
AWG#24-28	1.0-1.5mm

Pin No.	40mm square				40×80mm Rectangular					
	Full-Face	Split-Face	3-Color	Split, Dual	Full-Face	Split, Vert.	Split, Horiz.	3-Color	Split, Vert.,Dual	Split, Horiz.,Dual
1	Anode (+)	Anode (+)	Anode (+)	Anode (+)	Anode (+)	Anode (+)	Anode (+)	Anode (+)	Anode (+)	Anode (+)
2		Cathode (-)	Cathode (-) Green	Cathode (-) Green		Cathode (-)	Cathode (-)	Cathode (-) Red	Cathode (-) Red	Cathode (-) Red
3	Cathode (-)		Cathode (-) Red	Cathode (-) Red				Cathode (-) Green	Cathode (-) Green	Cathode (-) Green
4		Cathode (-)	Cathode (-) Yellow	Cathode (-) Green		Cathode (-)		Cathode (-) Yellow	Cathode (-) Red	Cathode (-) Red
5	Cathode (-)			Cathode (-) Red	Cathode (-)		Cathode (-)		Cathode (-) Green	Cathode (-) Green

Note: Simultaneous lighting is impossible while pin no. 2, 3, 4 for 3-Color Type, also impossible while pin no. 2, 3 and 4, 5 for Split-Face Dual Color Type.

## Panel Layout/Panel Cut Dimensions

Panel thickness : 1~4mm

	Panel Layout	Panel Cut Dimensions
30mm square Serial Mounting		
40mm Rectangular Vert., Serial Mounting		
40x80mm Horiz. Serial Mounting		

n : number of indicators

## ACCESSORIES

### Connector (appended)

Part No. BL-0077



Housing



Contact Pin  
Honda Tsushin Kogyo made  
(HKP-F403)

Connector (1Housing & 5 Contact Pins) to be appended.

### Contact Pin press Tool



Honda Tsushin Kogyo made (KP-309)

### Joint (Use for Matrix mounting)

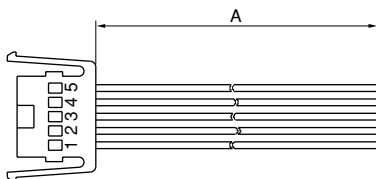
Part No. CL-0160



Tolerance : ±0.4mm

### Wire Hearness

Wire : UL1061, AWG26



Pin no.	1	2	3	4	5
Color	Red	Green	Yellow	Blue	Grey

A Length	Part No.
50cm	CL-0230
100cm	CL-0231

ORDERING CODE I

CL — [ ] [1] [2] [ ] [ ] [1] [2] K [ ] [ ]

● SHAPE & ILLUMINATION

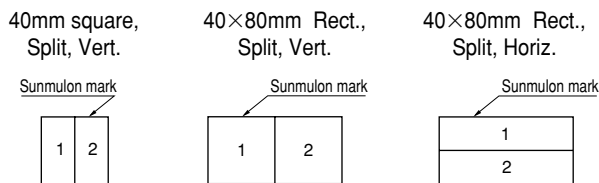
S0	40mm square, Full-Face	
S1	40mm square, Split, Vert.	
S2	40mm square, Split, Horiz.	
S3	40mm square, 3-Color	※1)
S4	40mm square, Split, Vert., Dual	※1)
S5	40mm square, Split, Horiz., Dual	※1)
W0	40×80mm Rect., Full-Face	
W1	40×80mm Rect., Split, Vert.	
W2	40×80mm Rect., Split, Horiz.	
W3	40×80mm Rect., 3-Color	※1)
W4	40×80mm Rect., Split, Vert., Dual	※1)
W5	40×80mm Rect., Split, Horiz., Dual	※1)
T0	40mm square, Full-Face, Dome	
T3	40mm square, 3-Color, Dome	※4) ※5)
H0	40×80mm Rect., Full-Face, Dome	※4)
H3	40×80mm Rect., 3-Color, Dome	※4) ※5)

● LED COLOR ※3)

7	Red	Full-Face : Put color no. into the frame 1
8	Green	Split-Face : Put color no. into the frame 1, 2
9	Yellow	3-Color : Put color no. 7,8 into the frame 1, 2 ※2)
×	Without LED	Split, Dual : Put color no. 7,8 into the frame 1, 2 ※2)

● NOTES

- ※1) In case of Negative illumination, please select Milk-White filter. (Black silk printing to be applied on Milk-White filter)
- ※2) Simultaneous lighting is impossible for 3-Color Type, and Split-Face Dual Color Type.
- ※3) In case of Split-Face, LED and Filter color location should be specified as follow:



- ※4) In case of selecting Dome type, filter is not needed, so please select Without Filter(X)
- ※5) Milk-White color filter or dome cover must be selected for 3-Color type and Split-Face Dual Color Type.
- ※6) Snap-spring metal plates come out Left/Right direction for Vertical Mounting, and Top/Bottom direction for Horizontal Mounting to avoid interfering mutually in case of serial mounting. Therefore, in case of independent use, it does not matter. (select 2 Horizontal ordinary)

● MOUNTING

1	For Horiz. Mtg.
2	For Vert. Mtg.

● HOUSING COLOR

K	Black
H	Grey

● SUPPLY VOLTAGE

2	12V
3	24V
×	Without LED

● FILTER COLOR ※3)

1	Red	Full-Face : Put color no. into the frame 1
2	Green	Split-Face : Put color no. into the frame 1, 2
3	Yellow	3-Color : Put color no. 4 into the frame 1
4	Milk-White	Split, Dual : Put color no. 4,4 into the frame 1, 2
×	Without Filter	

● COVER PLATE

C	Transparent
SK	Semitransparent (for Negative) ※1)

● DOME COVER

R	Red	※	Y	Yellow
G	Green		M	Milk-White

※ "Yellow" color for LED/Filter is actually "Orange Yellow".