



BL

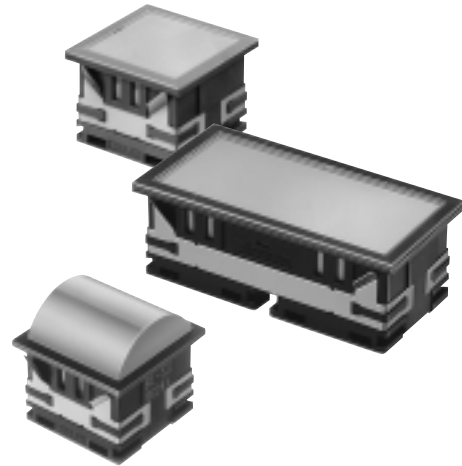
BL LED Indicator

Bright and Various Illumination makes easy planning of multiple design.
Easy Matrix Mounting available.
Dome Cover type (easy to look) provided.

Various illumination (Mono Color, Split-Face, 3-color, Negative) available.

■ FEATURES

- Size : 30mm square type.
- 30×60mm rectangular type.
- Depth behind panel : Only 20mm
- Illumination : Mono-Color, Split-Face, 3-Color (Red, Green, Yellow), Negative
- Dome Cover type (easy to look) available.
- Terminal : Connector Type
 Mounting : Snap-in Type
 (Matrix mounting is possible to use "joint".)



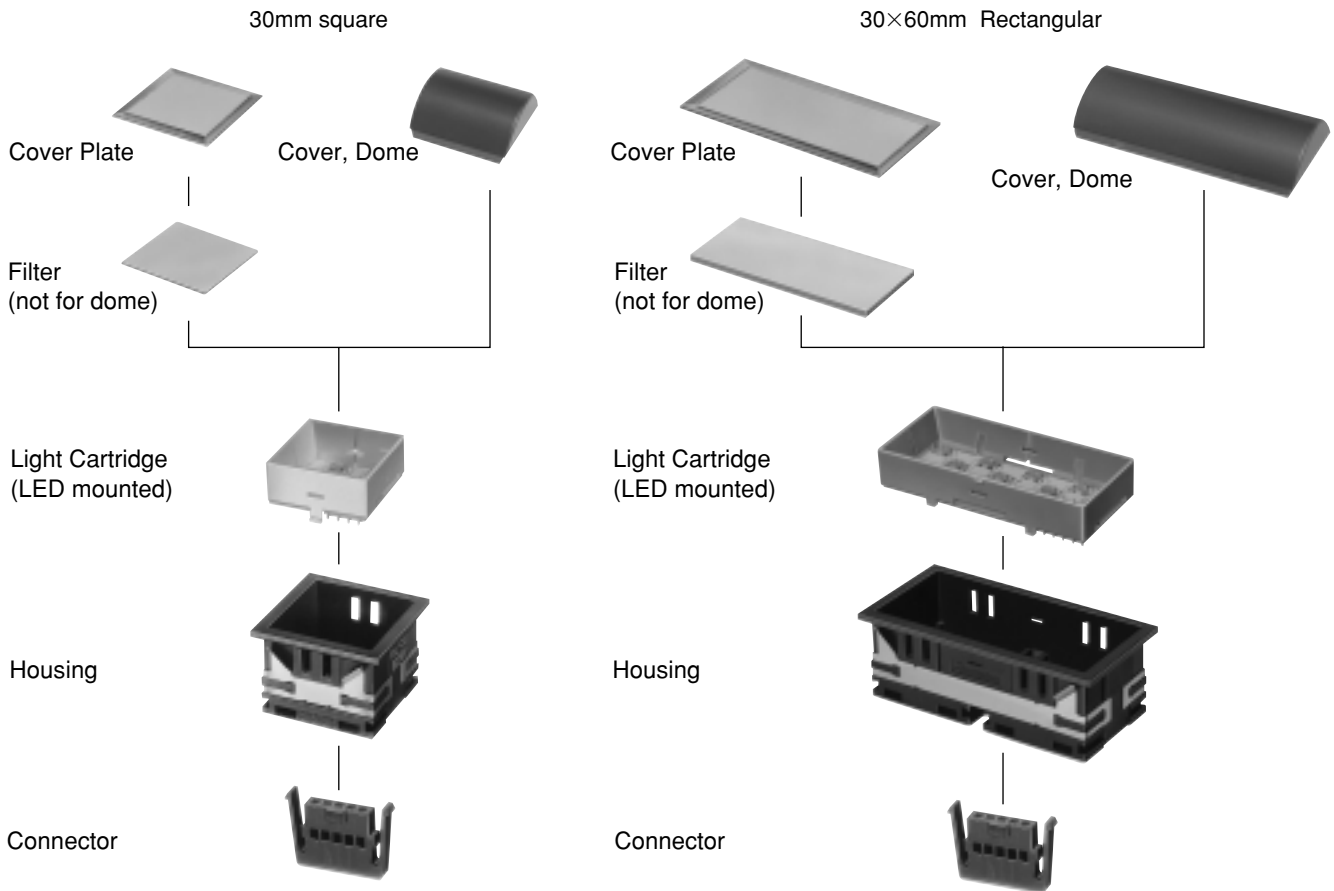
SPECIFICATIONS

Insulation Resistance	More than 100MΩ at 500V DC
Dielectric Strength	1500V AC RMS between terminals and ground (50/60Hz for 60sec. at normal ambient temperature and humidity)
Reverse Dielectric Strength	150V
Ambient Temperature	-10°C ~ +40°C
Ambient Humidity	45 ~ 80% RH

LED DATA

	DC Supply Voltage (V)	Current Rating (mA)								
		Mono-Color		Split-Face		Split-Face, Dual		3-Color		
		Red	Green/Yellow	Red	Green/Yellow	Red	Green	Red	Green	Yellow
30×30	DC12 (±5%)	26	40	13	20	13×2	20×2	26	40	40
	DC24 (±5%)	13	20	13	20	13×2	20×2	13	20	20
30×60	DC12 (±5%)	52	80	26	40	26×2	40×2	52	80	80
	DC24 (±5%)	26	40	13	20	13×2	20×2	26	40	40

STRUCTURE

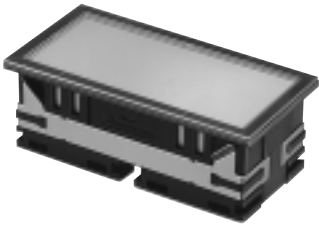
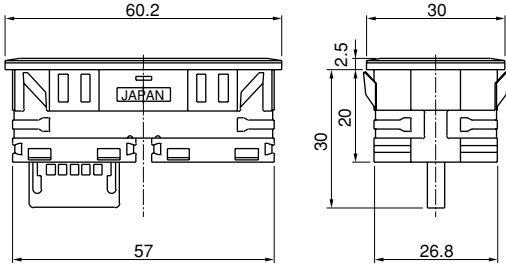
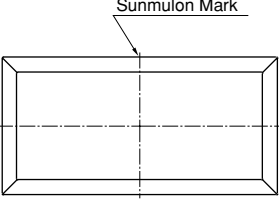
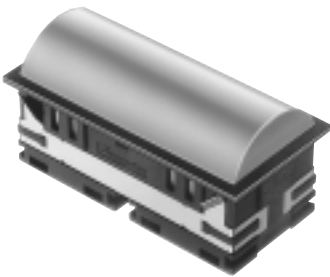
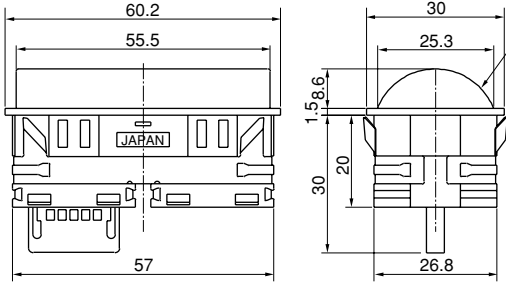
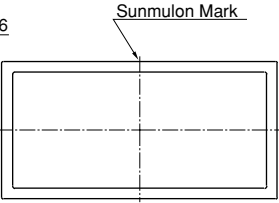


DIMENSIONS


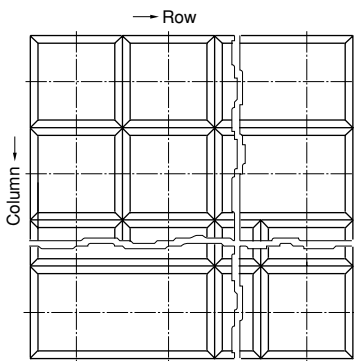
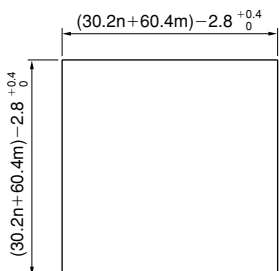
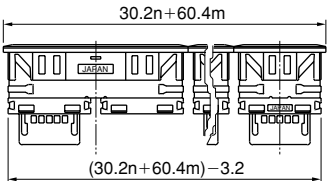
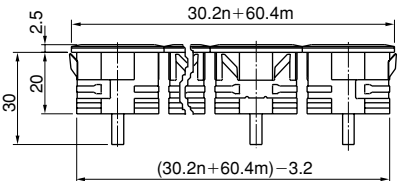
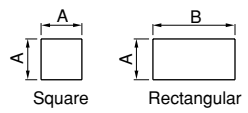
30mm square	Flat type				
	Dome type				

Tolerance : ±0.4mm

DIMENSIONS

30×60mm Rectangular	Flat type			
	Dome type			

Panel Thickness 1mm~4mm

Matrix Mounting (Without Matrix Frame)			
			<p>Panel Cut Dimension</p>  <p>Square Rectangular</p> <p>※ n : Number of A size (Row/Column) m : Number of B size (Row/Column)</p>

Tolerance : ±0.4mm

INTERNAL CONNECTION ARRANGEMENTS

30mm square	12V	<p>Full-Face</p> <p>BOTTOM VIEW TOP VIEW</p> <p>MULON mark</p>	<p>3-Color</p> <p>No.4 (Green) No.5 (Yellow) No.3 (Red)</p> <p>No.1, No.2</p>	<p>Split, Vert.</p> <p>No.1</p> <p>No.2 No.3</p>	<p>Split, Horiz.</p> <p>No.3 No.2</p> <p>No.1</p>
		<p>Split, Vert., Dual</p> <p>No.1</p> <p>No.2 (Red) No.4 (Green) No.3 (Red) No.5 (Green)</p>	<p>Split, Horiz., Dual</p> <p>No.5 (Green) No.3 (Red) No.4 (Green) No.2 (Red)</p> <p>No.1</p>		
	24V	<p>Full-Face</p> <p>BOTTOM VIEW TOP VIEW</p> <p>MULON mark</p>	<p>3-Color</p> <p>No.4 (Green) No.5 (Yellow) No.3 (Red)</p> <p>No.1, No.2</p>	<p>Split, Vert.</p> <p>No.1</p> <p>No.2 No.3</p>	<p>Split, Horiz.</p> <p>No.3 No.2</p> <p>No.1</p>
		<p>Split, Vert., Dual</p> <p>No.1</p> <p>No.2 (Red) No.4 (Green) No.3 (Red) No.5 (Green)</p>	<p>Split, Horiz., Dual</p> <p>No.5 (Green) No.3 (Red) No.4 (Green) No.2 (Red)</p> <p>No.1</p>		

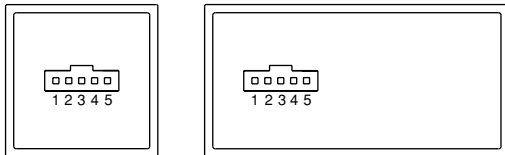
Tolerance : ±0.4mm

INTERNAL CONNECTION ARRANGEMENTS

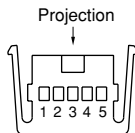
30×60mm Rectangular	12V	Full-Face		3-Color	
		Sunmulon mark BOTTOM VIEW	TOP VIEW		
	24V				
		Split, Vert.		Split, Horiz.	
	12V				
		24V			
	12V		Split, Vert.,Dual		Split, Horiz.,Dual
		24V			
	12V				
		24V			

TERMINAL

● TERMINAL LAYOUT



● CONNECTOR



● Suitable wire

Wire size	Diameter
AWG #24-28	1.0-1.5mm

Pin No.	Full-Face	Split, Vert.	Split, Horiz.	3-Color	Split, Vert.,Dual	Split, Horiz.,Dual
1	Anode (+)	Anode (+)	Anode (+)	Anode (+)	Anode (+)	Anode (+)
2	Anode (+)	Cathode (-)	Cathode (-)	Anode (+)	Cathode (-) Red	Cathode (-) Red
3	Cathode (-)	Cathode (-)	Cathode (-)	Cathode (-) Red	Cathode (-) Red	Cathode (-) Red
4				Cathode (-) Green	Cathode (-) Green	Cathode (-) Green
5				Cathode (-) Yellow	Cathode (-) Green	Cathode (-) Green

Note: Simultaneous lighting is impossible while pin no. 3, 4, 5 for 3-Color Type, also impossible while pin no. 2, 4 and 3, 5 for Split-Face Dual Color Type.

Panel Cut Dimensions

Panel thickness : 1~4mm

		Panel Layout	Panel Cut Dimensions
30mm square	Serial Mounting		
	Rectangular		
	30×60mm Serial Mounting		

n : number of indicators

ACCESSORIES

Connector (appended)

Part No. BL-0077



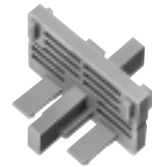
Housing



Contact Pin
Honda Tsushin Kogyo made (HKP-F403)

Joint (Use for Matrix mounting)

Part No. BL-0065

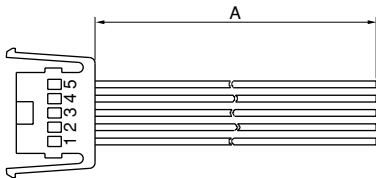


Tolerance : ±0.4mm

Connector (1Housing & 5 Contact Pins) to be appended.

Wire Harness

Wire : UL1061, AWG26



Pin no.	1	2	3	4	5
Color	Red	Green	Yellow	Blue	Grey

A Length	Part No.
50cm	CL-0230
100cm	CL-0231

Contact Pin press Tool



Honda Tsushin Kogyo made (KP-309)

ORDERING CODE I

BL — 1 2 1 2 **K**

● **SHAPE & ILLUMINATION**

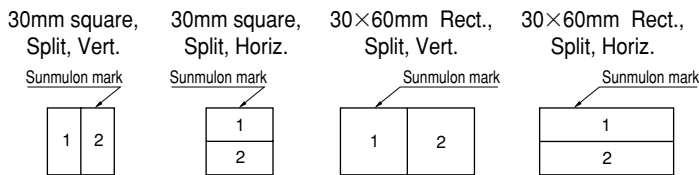
S0	30mm square, Full-Face	
S1	30mm square, Split, Vert.	
S2	30mm square, Split, Horiz.	
S3	30mm square, 3-Color	※1)
S4	30mm square, Split, Vert., Dual	※1)
S5	30mm square, Split, Horiz., Dual	※1)
W0	30×60mm Rect., Full-Face	
W1	30×60mm Rect., Split, Vert.	
W2	30×60mm Rect., Split, Horiz.	
W3	30×60mm Rect., 3-Color	※1)
W4	30×60mm Rect., Split, Vert., Dual	※1)
W5	30×60mm Rect., Split, Horiz., Dual	※1)
T0	30mm square, Full-Face, Dome	
T3	30mm square, 3-Color, Dome	※4) ※5)
H0	30×60mm Rect., Full-Face, Dome	※4)
H3	30×60mm Rect., 3-Color, Dome	※4) ※5)

● **LED COLOR** ※3)

7	Red	Full-Face : Put color no. into the frame 1 Split-Face : Put color no. into the frame 1, 2 3-Color : Put color no. 7,8 into the frame 1, 2 ※2) Split, Dual : Put color no. 7,8 into the frame 1, 2 ※2)
8	Green	
9	Yellow	
×	Without LED	

● **NOTES**

- ※1) In case of Negative illumination, please select Milk-White filter.
(Black silk printing to be applied on Milk-White filter)
- ※2) Simultaneous lighting is impossible for 3-Color Type, and Split-Face Dual Color Type.
- ※3) In case of Split-Face, LED and Filter color location should be specified as follow:



- ※4) In case of selecting Dome type, filter is not needed, so please select Without Filter(X)
- ※5) Milk-White color filter or dome cover must be selected for 3-Color type and Split-Face Dual Color Type.
- ※6) Snap-spring metal plates come out Left/Right direction for Vertical Mounting, and Top/Bottom direction for Horizontal Mounting to avoid interfering mutually in case of serial mounting. Therefore, in case of independent use, it does not matter. (select 2 Horizontal ordinary)

● **MOUNTING**

1	For Horiz. Mtg.
2	For Vert. Mtg.

● **SUPPLY VOLTAGE**

2	12V
3	24V
×	Without LED

● **HOUSING COLOR**

K	Black
H	Grey

● **FILTER COLOR** ※3)

1	Red	Full-Face : Put color no. into the frame 1 Split-Face : Put color no. into the frame 1, 2 3-Color : Put color no. 4 into the frame 1 Split, Dual : Put color no. 4,4 into the frame 1, 2
2	Green	
3	Yellow	
4	Milk-White	
×	Without Filter	

● **COVER PLATE**

C	Transparent
SK	Semitransparent (for Negative) ※1)

● **DOME COVER**

R	Red	※	Y	Yellow
G	Green		M	Milk-White

※ "Yellow" color for LED/Filter is actually "Orange Yellow".